



TPK-I-50-xxx/3+0/(S) Power supply system: TNC

Lightning Current Arresters Type 1 / Class I

Monobloc format

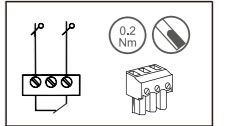
TPK-I-50-xxx is the most robust range of Type 1/Class I lightning current arresters, able to discharge energy (current) from a direct lightning strike (10/350) on an external lightning protection system (LPS) or overhead supplies, in accordance with EN/IEC 61643-11. DIN rail monobloc format.

- Suitable as a first step of protection in incoming power supply panels and in areas of high atmospheric exposure.
- Discharges impulse currents with a 10/350 µs waveform: 50 kA per phase.
- Exclusive devices for TNC earthing systems.
- Exclusive devices which are compatible with Power Line Communication networks.
- Biconnect - two types of terminal: for rigid or flexible cable and for fork type comb busbar.
- Available with optional remote signalling.

Application AC/DC distribution
Power supplies
Industrial automation
Telecommunications
Motor controls systems
PLC applications
Power transfer equipment
HVAC applications
AC drives
UPS systems
Security systems
IT / Data centers
Medical equipment

Features/Benefits

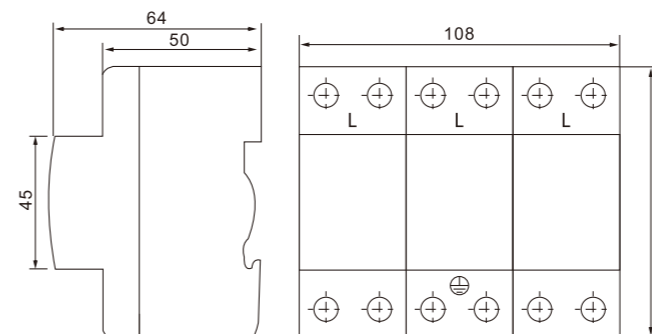
Easy installation or retrofit
Din-rail mountable
Fail-safe /self-protected design
Remote indicator (optional) with 2 pin C/NC contact
Ip20



Data sheet

Type	TPK-I-50-xxx/3+0/(S)
Technical Data	
Power supply system	TNC
Nominal line voltage (Un)	230/400 V (50/60Hz)
Maximum continuous voltage (Uc) (L-N)	255V
SPD to EN 61643-11	Type 1
SPD to IEC 61643-11	class I
Lightning impulse current (10/350µs) (Iimp)	50kA
Nominal discharge current (8/20µs) (In)	50kA
Voltage protection level (Up)	≤ 2.0kV
Response time (tA)	< 100ns
Operating State/Fault Indication	no
Degree of protection	IP 20
Insulating material / flammability class	PA66,UL94 V-0
Temperature range	-40° C~+80° C
Altitude	13123 ft [4000m]
Conductor Cross Section (max)	35mm ² (Solid) / 25mm ² (Flexible)
Remote Contacts (RC)	Optional
Format	Monobloc
Maximum back-up fuse	315A gL
For mounting on	DIN rail 35mm
Place of installation	indoor installation

Dimensions



Internal configuration

